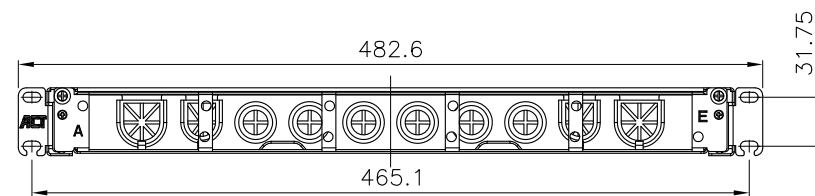
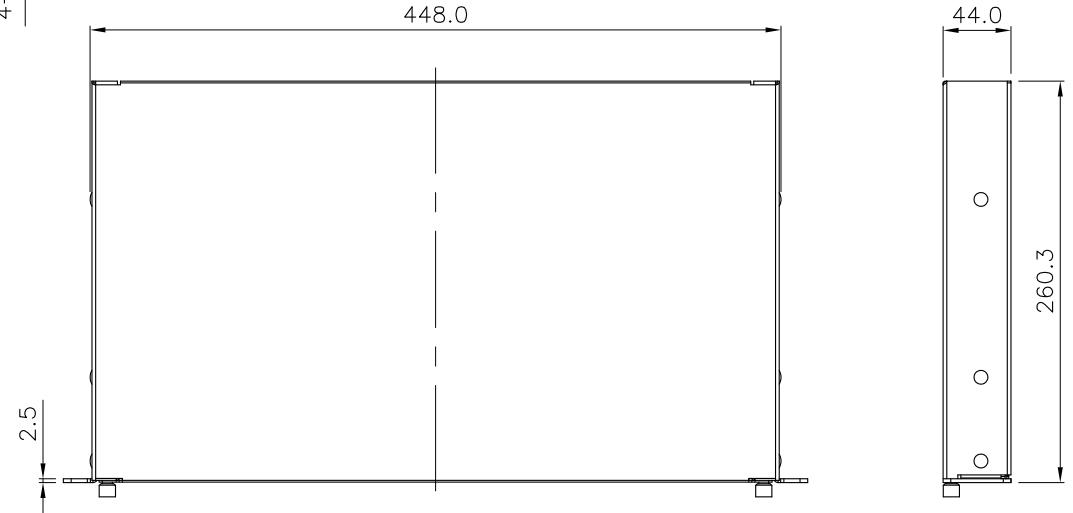
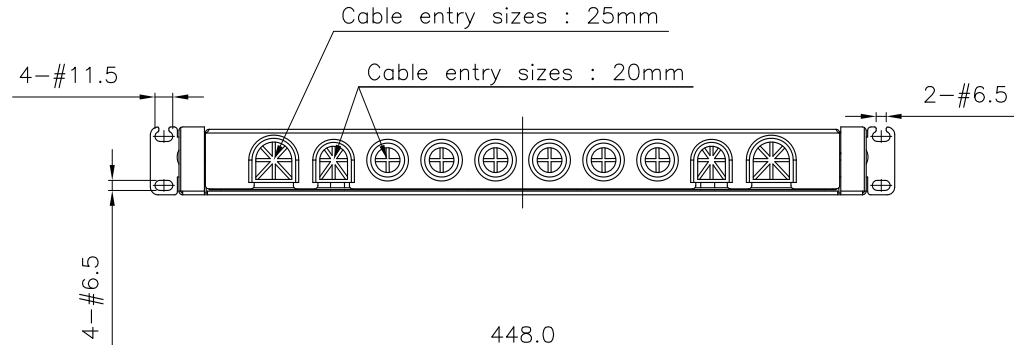
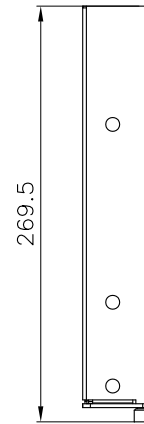


SCALE 1/10




**Specification**

1. Panel Top Case	SECC,1.2mm Thickness, BK
2. Rack Mount Brackets	SPCC, 2.5mm Thickness, BK
3. Panel Drawer	SECC, 1.2mm Thickness, BK
4. Sliding Rail	SPCC, 36.0x200mm, BK
5. Front Bulkhead	SPCC, 1.2mm Thickness, BK
6. Cable Entrance	PVC, BK

**Accessory**

Cable Tie	10 pcs
M20 Cable Gland	2 pcs
Velcro	0.5 m
Grommet	10 pcs
1/2 Cable Routing Spool	2 sets
Removable L-pin	2 pcs
24-port Splice Tray	2 pcs
Cable Twist Tie	5 pcs

	Fiber patch panel with sliding rail, 5 slots	
	Item : FA2059	Revision : 1.0
Drawn by : DANIEL	Date : 04-09-2025	
<small>This drawing is proprietary information of ACT Connectivity Solutions and confidential and provided to you for internal use on a need to know basis only. This document may not be duplicated for or disseminated to any third party without the prior explicit written consent of ACT Connectivity Solutions. Copies of this document, Printed or electronic, are uncontrolled and intended only for immediate use.</small>		