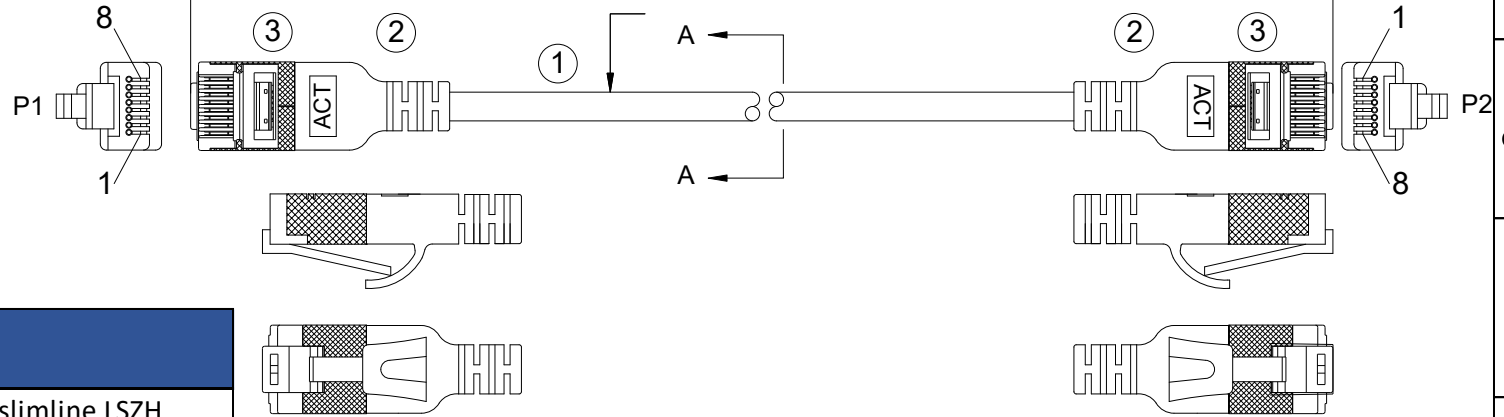


MARKING: CE UKCA 26 ACT CAT7 S/FTP CU LSZH
4x2xAWG30/7 ISO/IEC 11801 Class F



Specifications

Type	Patchcord CAT7 slimline LSZH
Shielding	S/FTP
Max. bandwidth	600MHz
Temperature/Humidity range	Operational -20°C to +60°C Installation 0°C to +50°C
Power over Ethernet rating	PoE+ 30W ≤ 10m
Wiring	T568B
Impedance	100Ω
Conductor DC resistance	45.23Ω max

Cable (A)	
Conductor type	Stranded
Conductor material	Bare Copper 4x2x30AWG /7
Outer diameter	4.5 mm ±0.2mm
Minimum bend radius	27mm
Outer Jacket	LSZH
Cable colour	Black

Plug (B,C)	
Connector B	RJ45 8P8C + BOOT
Connector C	RJ45 8P8C + BOOT
Contact plating	50µm Gold-plated
Wire Contact	IPC

P1	P2 T568B
1	1
2	2 ORANGE
3	3
4	4 BLUE
5	5
6	6 GREEN
7	7
8	8 BROWN
S	S SHIELDED

Item	Colour	Length (m)
DF7930	Black	0.15
DF7925	Black	0.25
DF7900	Black	0.5
DF7901	Black	1
DF7951	Black	1.5
DF7902	Black	2
DF7903	Black	3
DF7905	Black	5
DF7907	Black	7
DF7910	Black	10



ACT CAT7 S/FTP LSZH Slimline Patch cord black

Item : DF79x

Revision : B

Date : 26-1-2026

This drawing is proprietary information of ACT Connectivity Solutions and confidential and provided to you for internal use on a need to know basis only. This document may not be duplicated for or disseminated to any third party without the prior explicit written consent of ACT Connectivity Solutions. Copies of this document, Printed or electronic, are uncontrolled and intended only for immediate use.

Drawn by : MDS