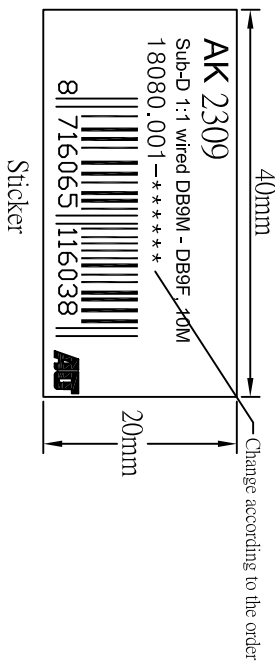
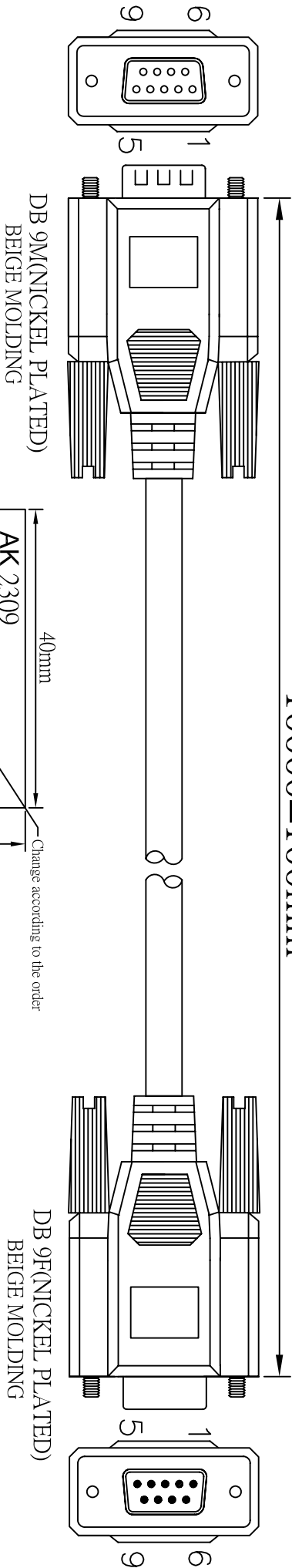


10000±100mm

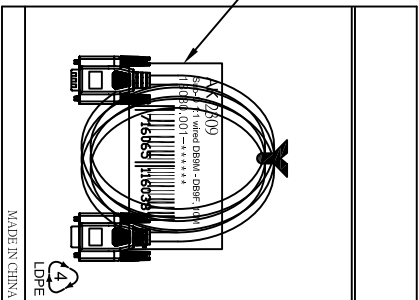


NOTE:

1. CABLE:NON-UL,26#*9C+1+AL,OD=5.0mm,BEIGE COLOR,PVC JACKET.
 2. LENGTH:10000mm
 3. CONNECTORS: DB9F * 1PCS,DB9M*1PCS(BLUE INSULATOR,NICKEL PLATED)
 4. MOLD:BEIGE MOLDING.
 5. SCREW: #4*40 INCH SCREW *4PCS
 6. CONTACTS:
- | | | | | | | | | | | |
|------|---|---|---|---|---|---|---|---|---|----|
| DB9M | 1 | 2 | 3 | 4 | 5 | 6 | 7 | 8 | 9 | 64 |
| DB9F | 1 | 2 | 3 | 4 | 5 | 6 | 7 | 8 | 9 | 64 |
7. OPEN/SHORT TEXT 100% TEXT.
INSULATION: MIN.5M.

RoHS COMPLIANT.

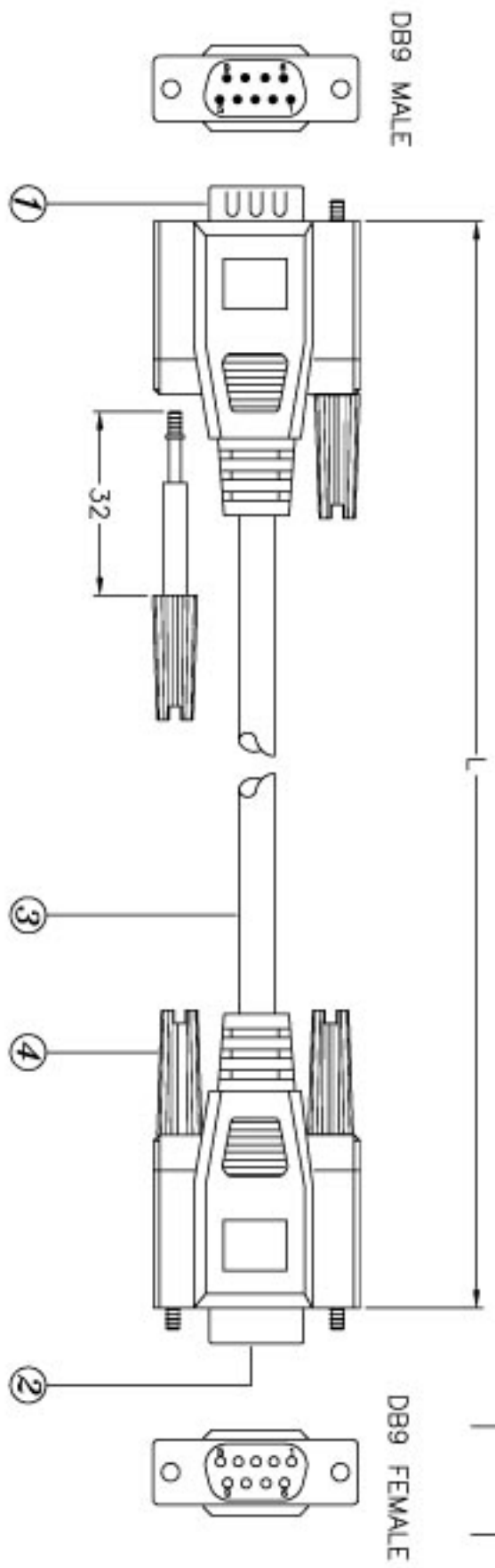
1PCS/PE BAG(0.06*190*300mm)+Sticker



| | | | | | | | | |
|--------------|---------|--------------------|-------|----------|-------|-----|------|------------|
| Company | I.B.V | Goods Code | Draw | | FC001 | WJF | Date | 2009.10.14 |
| ITEM NO. | AK 2309 | Drawing Evidence : | Check | Approval | | | Date | |
| Goods NO. | | | | | | | Date | |
| Original NO. | S-***** | Unit(mm) | | | | | Date | |

| | | |
|--------|--|------------|
| D | Revised spell CONTACTS of NOTE 6. | 2011.03.30 |
| B | Changed 30# to 26# / Adding packaging info | 1003.16WJF |
| VER. A | REVISE | Date |

DATE BY REVISION



NOTE:
 1. CABLE: #26.9C+1+AL/MY, O.D.: 6.0
 2. CONNECTOR: DB9M, BLUE
 DB9F, BLUE
 3. THUMBSCREW: #4-40UNC, E32

NOTE:
 1. TOTAL LENGTH: L
 2. COLOR: BEIGE
 3. MOLDED TYPE

| ITEM NO. | L |
|----------|-------------|
| AK2308 | 7000±100mm |
| AK2309 | 10000±100mm |
| AK2321 | 15000±100mm |
| AK2322 | 20000±100mm |
| AK2323 | 25000±100mm |
| AK2324 | 30000±100mm |

CONFIGURATION: DB9M DB9F

- 1 _____ 1
- 2 _____ 2
- 3 _____ 3
- 4 _____ 4
- 5 _____ 5
- 6 _____ 6
- 7 _____ 7
- 8 _____ 8
- 9 _____ 9
- SHIELD _____ SHIELD



| NO. | DESCRIPTION | QTY |
|-----|----------------------------------|-----|
| ④ | THUMBSCREW: #4-40UNC, E32 | 4 |
| ③ | #26.9C+1+AL/MY, O.D.: 6.0, BEIGE | L |
| ② | DB9F, BLUE | 1 |
| ① | DB9M, BLUE | 1 |

| DRAWN | Y.C.C | CHECK | APPRO |
|-------|-------|-------|-------|
| 1/8 | | | |

| | | |
|-------|----------|---------------------|
| DATE | PARTS NO | TITLE: |
| UNIT | DRAWN NO | DB9 MALE-DB9 FEMALE |
| SCALE | BUYER NO | (MOLDED TYPE) |

| | | |
|----|--------|--|
| MM | AK2308 | |
| | 002 | |