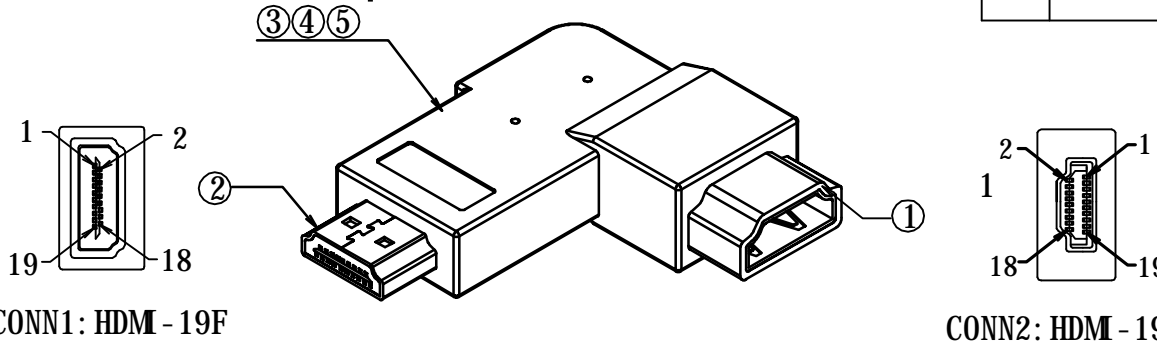


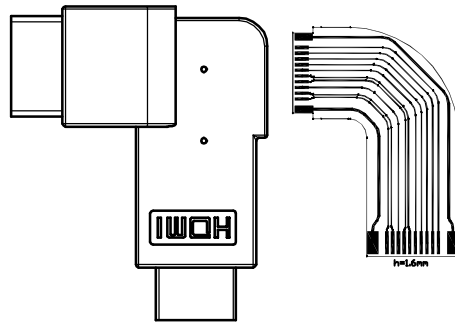
HDMI 19M/HDMI 19F adapter.

		Rev.	content
	2010/03/11	A	original drawing



1. connecting view:

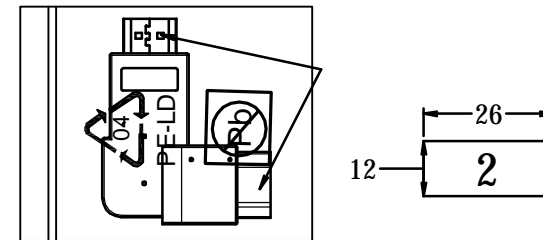
CONN1	CONN2	CONN1	CONN2
1	1	12	12
2	2	13	13
3	3	14	14
4	4	15	15
5	5	16	16
6	6	17	17
7	7	18	18
8	8	19	19
9	9	G	G
10	10		
11	11		



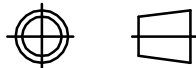
2. electronic testing requirement:

- A. voltage: DC 300V
- B. Insulation Resistance: $\geq 20M\Omega$
- C. Conduction Resistance: $\leq 3\Omega$

3. packing view:



NO.	PART NO.	DESCRIPTION	Q'TY	UNIT
①	plug	HDMI 19F black glue core gold-plated 180° Flapper-type wire distance between two hackles is 1.65mm (RoHS)	1	PC
②	plug	HDMI 19M 180° Flapper-type wire distance between two hackles is 1.65mm (RoHS)	1	PC
③	PCB	CV-090B1-2 thickness: 1.6mm double-face board	1	PC
④	inside mould	PE material (RoHS)	3.8	g
⑤	outside mould	PVC 45P black (RoHS)	18.5	g
⑥	PE bag	3"*4" with recycling mark PE bag (RoHS)	1	PC
⑦	PE bag	7"*10" with recycling mark PE bag (RoHS)	1/10	PC
⑧	carton	46*30*20cm carton K=A (RoHS)	1/300	carton



customer	date	2010/03/17	unit	mm	unit	REV.	A	page	1/2
name		HDMI 19M/HDMI 19F adapter							
drawn by									