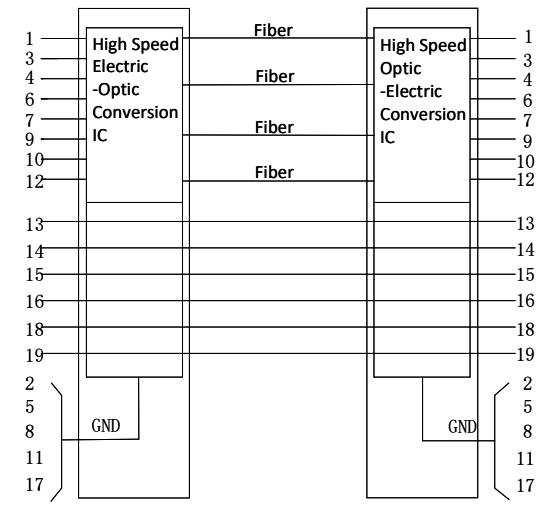


ITEM	PART	DESCRIPTION
A	HDMI A male	Source connector
B	HDMI Type A – HDMI Type D (micro)	Display connector
C	HDMI A male	Display connector
A + C	Connector type	HDMI A male (metal)
	Contacts	Gold plated
	Hood	Metal
	Shield type	Aluminum Mylar
	Conductor material	4x fiber + 7 copper
	Fiber	OM3
B	Cable colour	Black
	Outer jacket	80P PVC
	Wire gauge	28 AWG
	Outer diameter	∅4.5 ±0.2mm
	Bend radius	~20mm
	Temperature range	0°C to +50°C (+5%)
	Humidity range	10% to 80%
	Max. bandwidth	18Gbps
	HDMI version	HDMI 2.0
	HDMI standard	HDMI High Speed
	Max. resolution @ 60Hz	4096 x 2160 (4K)
	Chroma sampling	4:4:4
	Colour bit depth	8 bits per colour
D	Protective cap	PE

Item No.	Length
AK4100	10m
AK4101	15m
AK4102	20m
AK4103	25m
AK4104	30m
AK4105	40m
AK4106	50m
AK4107	60m
AK4111	100m



**HDMI High Speed 4K Active Optical Cable with detachable connector v2.0**

Revision : 01-AB

Date : 8-06-2026

This drawing is proprietary information of ACT Connectivity Solutions and confidential and provided to you for internal use on a need to know basis only. This document may not be duplicated for or disseminated to any third party without the prior explicit written consent of ACT Connectivity Solutions. Copies of this document, Printed or electronic, are uncontrolled and intended only for immediate use.

Drawn by : EP