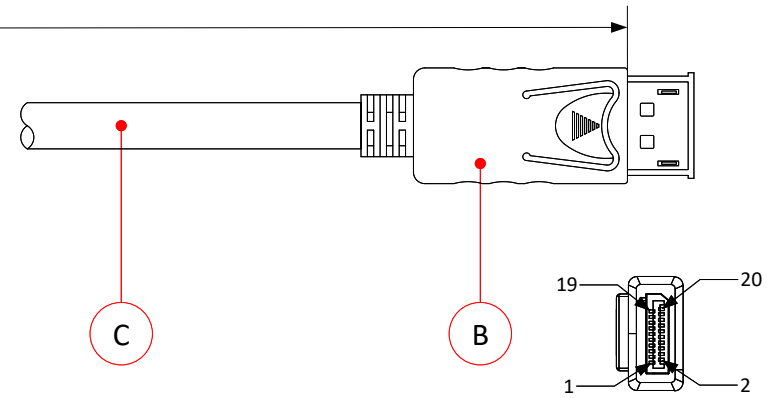
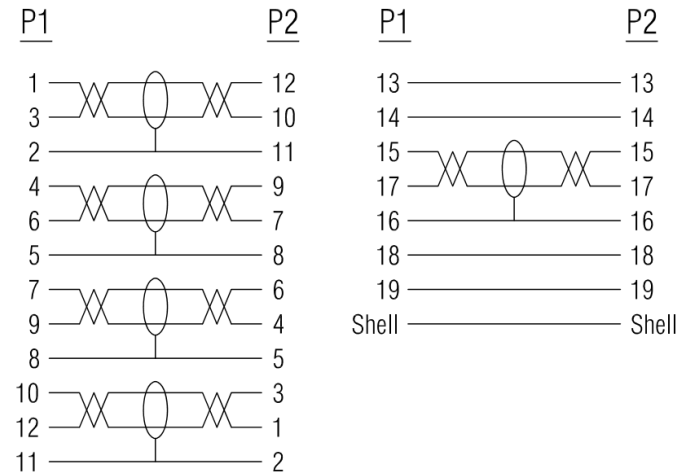


CABLE MARKING : DisplayPort Cable E468041 STYLE 20276 80°C 30V VW-1



1. Wiring Check 100% Test Open, Short, Mis-wire
2. Contact Resistance 5Ω Max.
3. Insulation Resistance 5MΩ Min.
4. Hi-Pot Test 300V DC / 10ms
5. Resolution Test Passed 7680x4320P 60Hz or 3840*2160P 144Hz
6. Visual Quality No Twinkling, Double Vision, or Decolor

WIRE ADDRESS



ITEM	PART	DESCRIPTION
A + B	Connector type	DisplayPort male to DisplayPort male
	Contacts	Gold plated
	Hood	Molded plastic
	Shield type	Aluminum Mylar
	Conductor material	Bare copper
	Locking	Snap-in
C	Cable colour	Black
	Outer jacket	45P BLACK PVC
	Wire gauge	28 AWG
	Outer diameter	Ø7.3 ±0.2mm
	Wire spec	UL20276 (28AWG*1P+DAM)*5+28AWG*5C+ADB(AM) OD=3mm,BLACK PVC JACKET.(BC Wire)
	Bend radius	50mm
	Temperature rating	-20°C to +70°C (+5%)
	Max bandwidth	32.4 Gb/s
	Video signal	DisplayPort
	Version	DisplayPort 1.4
	Max. resolution @ 60Hz	7680 x 4320
	Max. resolution @ 120Hz	3840 x 2160
	Chroma sampling	4:4:4
	Color bit depth	8 bits per colour
	Power connected	No



Drawn by : EP

DisplayPort 1.4 cable 8K

Item : AK4070

Revision : 01-AA

Date : 21-11-2025

This drawing is proprietary information of ACT Connectivity Solutions and confidential and provided to you for internal use on a need to know basis only. This document may not be duplicated for or disseminated to any third party without the prior explicit written consent of ACT Connectivity Solutions. Copies of this document, Printed or electronic, are uncontrolled and intended only for immediate use.